



US009455571B2

(12) **United States Patent**
Bouchez et al.

(10) **Patent No.:** **US 9,455,571 B2**
(45) **Date of Patent:** **Sep. 27, 2016**

- (54) **POWER LIMITER**
- (71) Applicant: **TriQuint Semiconductor, Inc.**, Hillsboro, OR (US)
- (72) Inventors: **Joseph J. Bouchez**, McKinney, TX (US); **Tuong Nguyen**, Allen, TX (US)
- (73) Assignee: **Qorvo US, Inc.**, Greensboro, NC (US)
- (*) Notice: Subject to any disclaimer, the term of this patent is extended or adjusted under 35 U.S.C. 154(b) by 0 days.
- (21) Appl. No.: **14/978,346**
- (22) Filed: **Dec. 22, 2015**

5,140,287 A	8/1992	Hawkes	
5,349,644 A	9/1994	Massey et al.	
5,414,313 A	5/1995	Crescenzi, Jr. et al.	
7,181,146 B1	2/2007	Yorks	
7,750,753 B1 *	7/2010	Cadotte, Jr.	H01L 31/162 333/17.2
8,000,668 B2	8/2011	Boguslavskij et al.	
8,149,742 B1	4/2012	Sorsby	
2002/0180552 A1 *	12/2002	Bennett	H03G 11/02 333/17.2
2004/0174226 A1 *	9/2004	Bennett	H03G 11/02 333/17.2
2007/0149147 A1	6/2007	Kishimoto et al.	
2009/0065696 A1	3/2009	Mann et al.	
2009/0322442 A1 *	12/2009	Maas	H03G 11/025 333/17.2
2012/0001305 A1	1/2012	Peroni et al.	
2012/0074367 A1	3/2012	Costa et al.	
2013/0278351 A1	10/2013	Bao et al.	

- (65) **Prior Publication Data**
US 2016/0111873 A1 Apr. 21, 2016
- Related U.S. Application Data**
- (62) Division of application No. 13/801,929, filed on Mar. 13, 2013, now Pat. No. 9,270,246.
- (51) **Int. Cl.**
H04B 1/06 (2006.01)
H02H 9/04 (2006.01)
H03G 11/02 (2006.01)
- (52) **U.S. Cl.**
CPC **H02H 9/045** (2013.01); **H03G 11/02** (2013.01)
- (58) **Field of Classification Search**
None
See application file for complete search history.
- (56) **References Cited**
U.S. PATENT DOCUMENTS

5,038,113 A 8/1991 Katz et al.
5,059,892 A 10/1991 Stoft

OTHER PUBLICATIONS

Cory, Rick, "PIN-limiter diodes effectively protect receivers," EDN, Dec. 17, 2004, pp. 59-66.

Santhakumar, Raj et al., "High Performance Ka-Band VPIN Limiters," Compound Semiconductor Integrated Circuit Symposium, Oct. 2012, 4 pages.

Non-Final Office Action for U.S. Appl. No. 13/801,929, mailed May 12, 2015, 8 pages.

Notice of Allowance for U.S. Appl. No. 13/801,929, mailed Oct. 14, 2015, 7 pages.

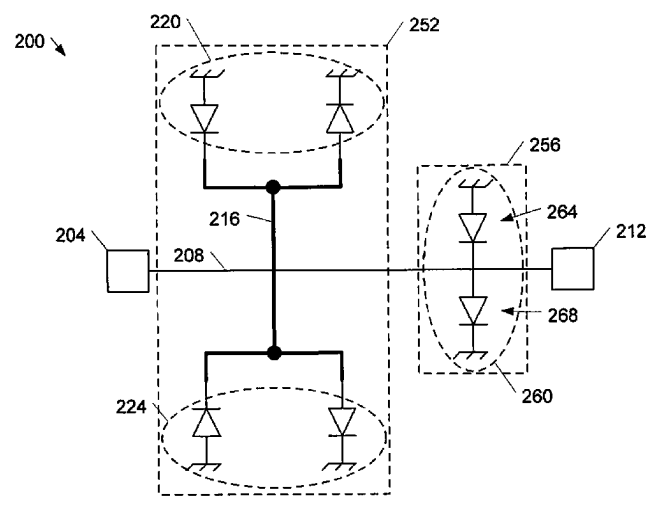
* cited by examiner

Primary Examiner — Lana N Le
(74) *Attorney, Agent, or Firm* — Withrow & Terranova, P.L.L.C.

(57) **ABSTRACT**

Embodiments provide a limiter circuit that includes a power splitter coupled with a plurality of antiparallel diode pairs. In some embodiments, the power splitter may be part of a first stage of the limiter circuit. Other embodiments may be described and claimed.

20 Claims, 7 Drawing Sheets



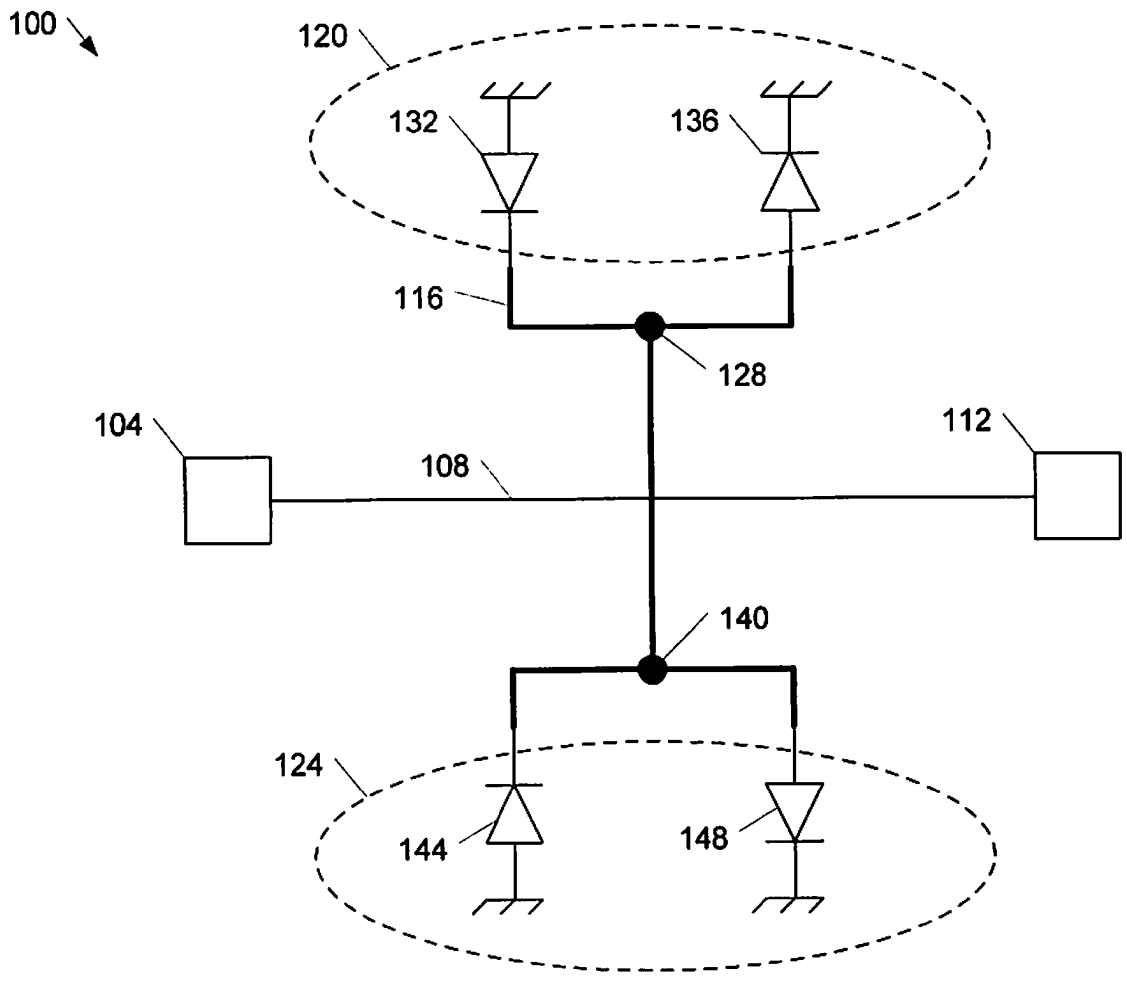


Figure 1

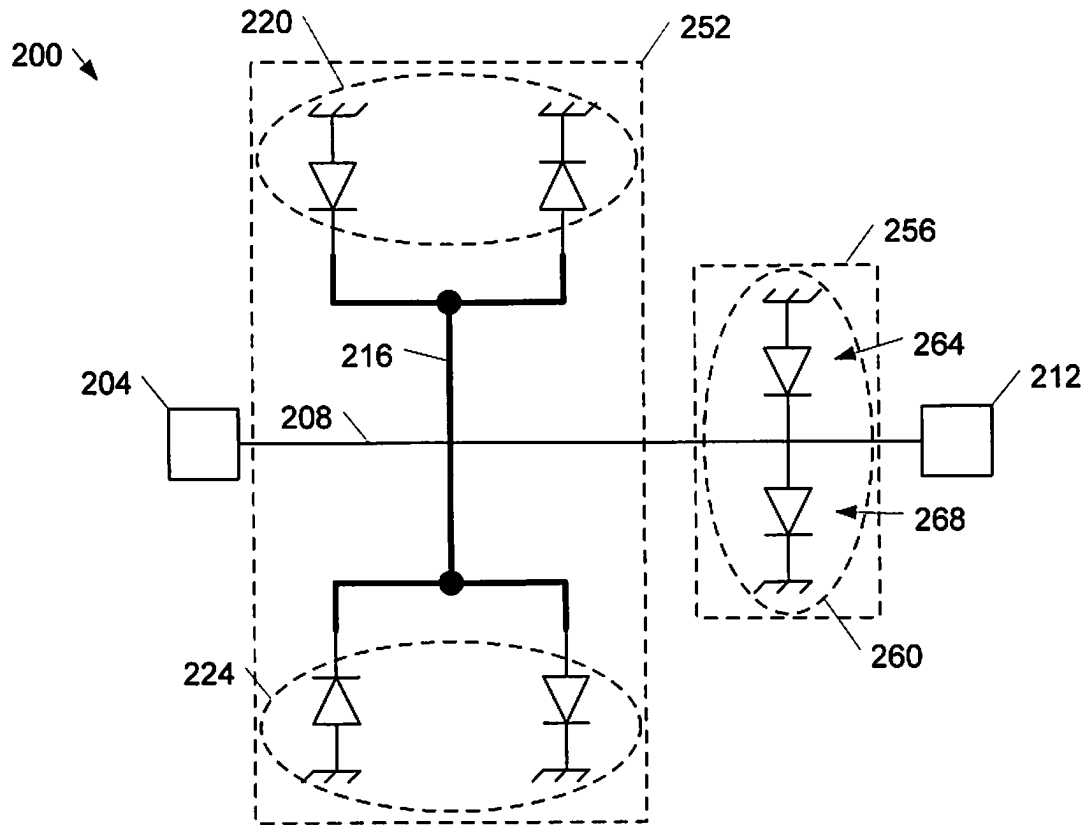


Figure 2

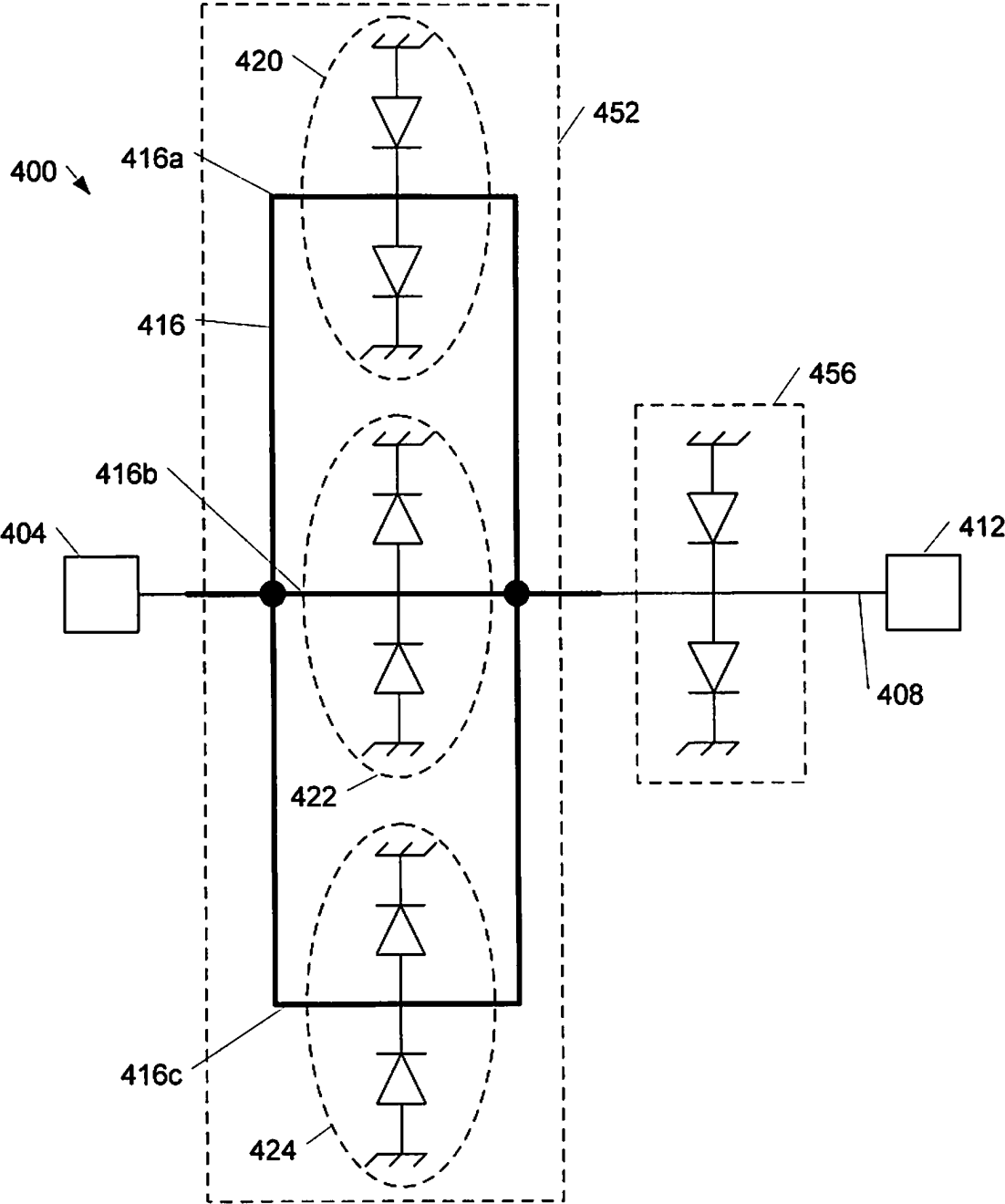


Figure 4

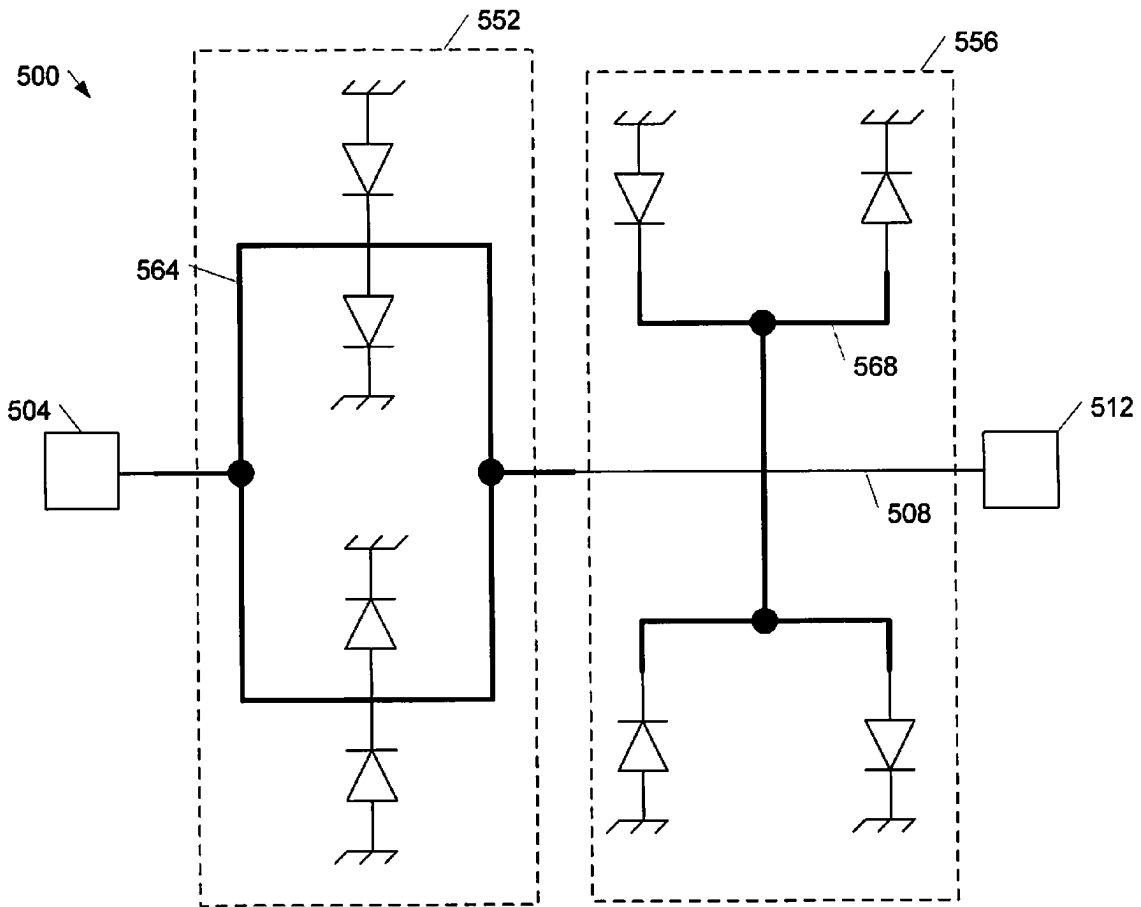


Figure 5

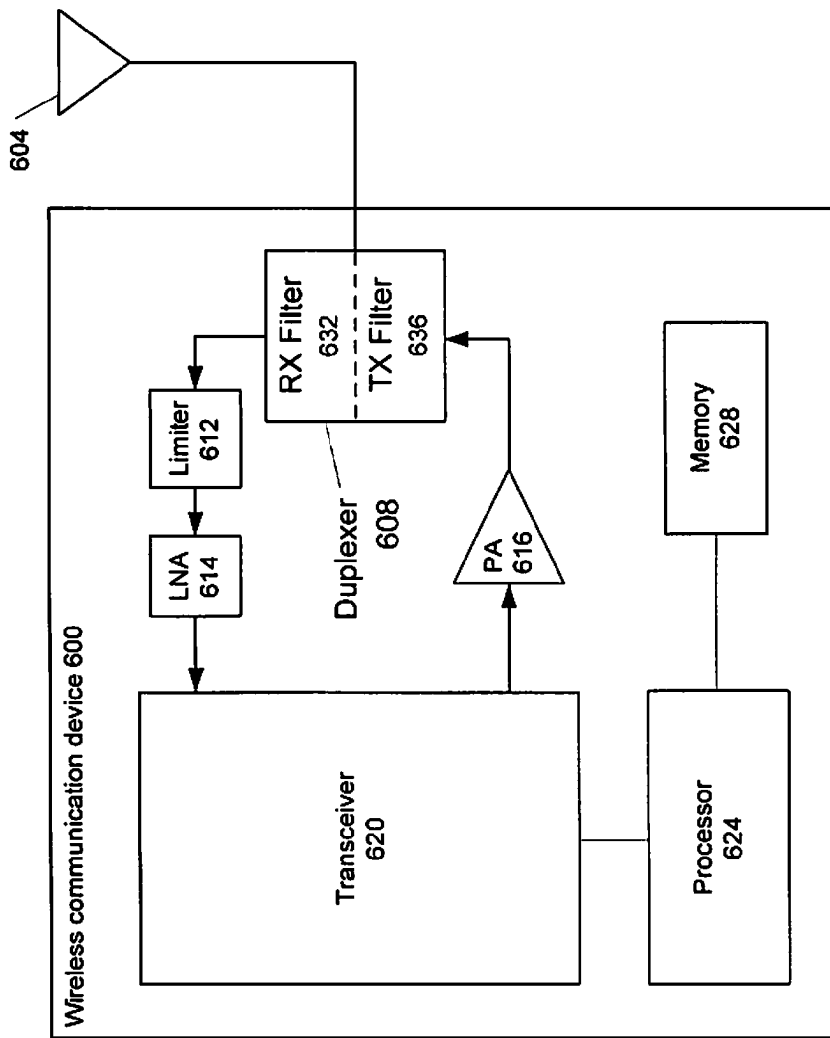


Figure 6

700 ↘

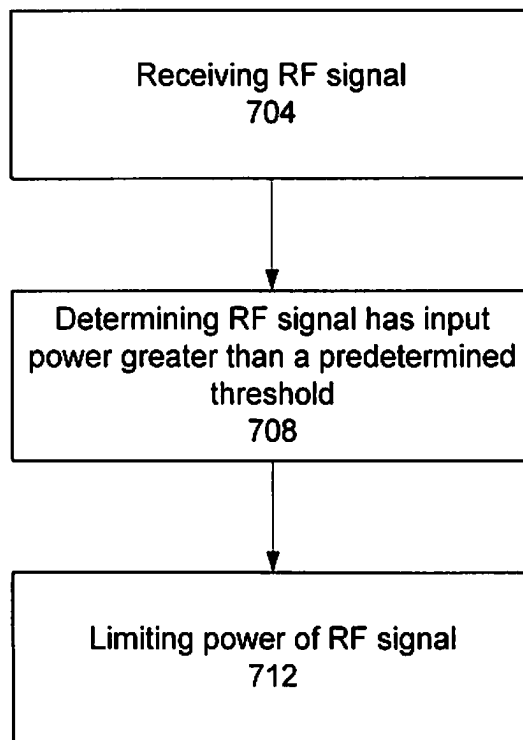


Figure 7

1

POWER LIMITER

This application is a divisional application of, and claims priority to, U.S. patent application Ser. No. 13/801,929, entitled "Power Limiter", filed Mar. 13, 2013, the disclosure of which is incorporated herein by reference in its entirety.

FIELD

Embodiments of the present disclosure relate generally to the field of power limiters, and more particularly to a power limiter having a power splitter at an input stage.

BACKGROUND

Power limiters may be used in a receive chain to protect low-noise amplifiers (LNAs) or other sensitive components from an radio frequency (RF) signal having a high input power. Power limiters are designed to have a low insertion loss when RF signals having input powers below a certain threshold are received, and a high insertion loss when RF signals having input powers above a certain threshold are received. Power limiters often employ diodes to provide the desired functionality.

BRIEF DESCRIPTION OF THE DRAWINGS

Embodiments are illustrated by way of example and not by way of limitation in the figures of the accompanying drawings, in which like references indicate similar elements.

FIG. 1 illustrates a limiter circuit in accordance with some embodiments.

FIG. 2 illustrates a limiter circuit in accordance with some embodiments.

FIG. 3 illustrates a limiter circuit in accordance with some embodiments.

FIG. 4 illustrates a limiter circuit in accordance with some embodiments.

FIG. 5 illustrates a limiter circuit in accordance with some embodiments.

FIG. 6 illustrates a wireless communication device in accordance with some embodiments.

FIG. 7 is a flowchart depicting operation of a wireless communication device in accordance with some embodiments.

DETAILED DESCRIPTION

Various aspects of the illustrative embodiments will be described using terms commonly employed by those skilled in the art to convey the substance of their work to others skilled in the art. However, it will be apparent to those skilled in the art that alternate embodiments may be practiced with only some of the described aspects. For purposes of explanation, specific devices and configurations are set forth in order to provide a thorough understanding of the illustrative embodiments. However, it will be apparent to one skilled in the art that alternate embodiments may be practiced without the specific details. In other instances, well-known features are omitted or simplified in order not to obscure the illustrative embodiments.

Further, various operations will be described as multiple discrete operations, in turn, in a manner that is most helpful in understanding the present disclosure; however, the order of description should not be construed as to imply that these

2

operations are necessarily order dependent. In particular, these operations need not be performed in the order of presentation.

The phrase "in one embodiment" is used repeatedly. The phrase generally does not refer to the same embodiment; however, it may. The terms comprising, having, and including are synonymous, unless the context dictates otherwise.

The phrase "coupled with," along with its derivatives, may be used herein. Coupled may mean that two or more elements are in direct physical or electrical contact. However, coupled may also mean that two or more elements indirectly contact each other, but yet still cooperate or interact with each other, and may mean that one or more other elements are coupled or connected between the elements that are said to be coupled with each other.

As discussed above, power limiters are often employed to protect LNAs or other sensitive components from RF signals having high input powers. Power limiters may have multiple stages of antiparallel diode pairs coupled with a transmission line. However, the antiparallel diode pair of the input stage, that is, the stage closest to an input node that receives the RF signal from the antenna, may be prone to burn out due to high current levels at the input node. Embodiments of the present disclosure provide the input stage with a power splitter that may distribute the RF signal power among a plurality of antiparallel diode pairs. In this way, the diodes of the input stage may be less susceptible to failure caused by high currents at the input node.

FIG. 1 illustrates a power limiter circuit **100** in accordance with some embodiments. The power limiter circuit **100**, also referred to as limiter **100**, may include an input node **104**, a transmission line **108** coupled with the input node **104**, and an output node **112** coupled with the transmission line **108**. The input node **104**, which may be a pin or pad, for example, may be configured to be coupled with an antenna (possibly through duplexer as shown in FIG. 5) that is to receive an RF signal and provide the RF signal to the input node **104**. The output node **112**, which may be a pin or pad, for example, may be configured to be coupled with one or more components of a host device that would be otherwise susceptible to damage from high power RF input signals.

The limiter **100** may be a single-stage limiter having a power splitter **116** coupled with the transmission line **108** between the input node **104** and the output node **112**. The power splitter **116** is shown in a heavier weight line than the transmission line **108**.

The power splitter **116** may be coupled with a first diode pair **120** and a second diode pair **124**. In particular, the power splitter **116** may include a node **128** coupled with and between diodes **132** and **136** of the first diode pair **120**; and a second node **140** coupled with and between diodes **144** and **148** of the second diode pair **124**. While only one diode is shown on each branch, it may be understood that a plurality of diodes may be coupled in series with one another. This may be done, for example, to increase RF power handling capability. Further, in some embodiments, other circuit elements that function as a diode, for example, a diode-connected transistor, may be used in place of the diodes shown.

The diodes **132** and **136** of the diode pair **120** may be coupled in parallel with one another, but with their polarities reversed. Thus, the diode pair **120** may also be referred to as antiparallel diode pair **120**. A cathode of the diode **132** may be coupled with the node **128**, while an anode of the diode **132** may be coupled with ground. Further, an anode of the diode **136** may be coupled with the node **128**, while a cathode of the diode **136** may be coupled with ground.

The diodes **144** and **148** of the second diode pair **124** may also be couple in parallel with one another with their polarities reversed and, therefore, be referred to as antiparallel diode pair **124**. A cathode of diode **144** may be coupled with node **140** and an anode of diode **144** may be coupled with ground. Further, an anode of diode **148** may be coupled with node **140** and a cathode of diode **148** may be coupled with ground.

While FIG. **1** illustrates each of the diodes being coupled with a ground, they may not be so coupled in other embodiments. For example, in place of the ground connection, a positive or negative voltage supply may be provided to reverse or forward bias the diodes. Reverse biasing the diodes may increase an input power to turn on the diodes. Forward biasing the diodes may lower the input power to turn on the diodes. In such a manner, the limiter **100** may be configured as a variable input power limiter.

In some embodiments, the antiparallel diode pairs **120** and **124** may be physically disposed on opposite sides of the transmission line **108** from one another as shown in FIG. **1**.

If power of an RF signal on the transmission line **108** has an amplitude less than a certain threshold, the diodes **132**, **136**, **144**, and **148** may present a high resistance and, therefore, the limiter **100** may be associated with a low insertion loss. However, if the power of the RF signal has an amplitude over the threshold, the diodes **132**, **136**, **144**, and **148** may be forward biased and the antiparallel diode pairs **120** and **124** may function to limit the peak voltage of positive and negative signal alterations of the RF signal.

Providing the power splitter **116**, as shown, may evenly distribute the power provided to the antiparallel diode pairs **120** and **124** so that each antiparallel diode pair has the same resistance. This may lower the input resistance of the limiter **100** to increase power reflected by the diodes **132**, **136**, **144**, and **148** and, therefore, reduce power dissipated by the diodes **132**, **136**, **144**, and **148**. This may allow the limiter **100** to handle higher input powers, with respect to previous limiter designs, before burnout of any of the diodes **132**, **136**, **144**, and **148**.

The diodes **132**, **136**, **144**, **148** may be of equal sizes or different sizes. In some embodiments, the diodes **144** and **132** may be different sizes than diodes **148** and **136**, or each of the diodes **144** and **132** may represent two or more diodes in series while each of the diodes **136** and **148** may represent a lesser number of diodes in series (or just one diode). In this manner, the diodes **144** and **132** may turn on only turn on when the input power is above a first threshold, but the diodes **136** and **148** may start to limit the input power when it is above a second threshold that is lower than the first threshold.

In various embodiments, the diodes **132**, **136**, **144**, and **148** may be vertical P-I-N (VPIN) GaAs diodes. A VPIN GaAs diode may have p-, i-, and n- GaAs layers vertically disposed on a semi-insulating GaAs substrate. The n-GaAs region, which may be the cathode, may be disposed directly on the semi-insulating GaAs substrate. The i-GaAs layer may be formed on the n-GaAs layer and the p-GaAs layer, which may be the anode, may be formed on the i-GaAs layer. The i-GaAs layer and the p-GaAs layer may form a mesa structure on top of the n-GaAs region. Contacts may be placed on portions of the n-GaAs layer and on the p-GaAs layer. In some embodiments, the contacts may be gold (Au) over nickel (Ni) contacts. The design of the VPIN GaAs diodes, including dimensions and materials, may be adjusted to provide operating characteristics (for example, resistance, capacitance, recovery time, threshold level, etc.) desirable for a particular embodiment.

A vertical PIN GaAs diode may be particularly suitable for present embodiments due to their low insertion loss and their low spike voltage. Further, VPIN diodes do not require DC power. However, in other embodiments, other types of diodes may be used.

In some embodiments, the limiter **100** may be packaged into a package having a base of aluminum nitride and a plastic lid. The package may have dimensions of approximately 2 millimeters by 2 millimeters. The package may be coupled with circuit board having other components, for example, a low noise amplifier by a solder process. In some embodiments, other attachment processes may be used.

FIG. **2** illustrates a limiter **200** in accordance with some embodiments. Except as otherwise noted, the limiter **200** may be similar to, and substantially interchangeable with, limiter **100**. Limiter **200** may be a dual-stage limiter with a first stage **252** and a second stage **256**.

The first stage **252** may be coupled with input node **204** and may also be referred to as input stage **252** (or coarse stage **252**). The input stage **252** may have a power splitter **216** and antiparallel diode pairs **220** and **224**, similar to limiter **100**.

The second stage **256** may include an antiparallel diode pair **260** that is coupled directly to the transmission line **208**. The direct coupling of the antiparallel diode pair **260** may be contrasted from the coupling of the antiparallel diode pairs **220** and **224** by not being coupled to the transmission line through a power splitter such as power splitter **216**.

The antiparallel diode pair **260** may include a diode **264** with a cathode coupled with the transmission line **208** and an anode coupled with ground. The antiparallel diode pair **260** may further include a diode **268** having an anode coupled with the transmission line **208** and a cathode coupled with ground. The diodes **264** and **268** may be physically disposed on opposing sides of the transmission line **208**.

The first stage **252** may be responsible for a majority of the power limiting, while the second stage **256** may be responsible for determining threshold level and spike leakage of the limiter **200**. Given the power limiting role of the first stage **252**, it may be unnecessary to provide power splitters for later stages. However, some embodiments, such as the embodiment shown in FIG. **5**, may include power splitters at additional or alternative stages of a power limiter.

The second stage **256** may be coupled with the transmission line approximately one-quarter wavelength ($\lambda/4$) from where the first stage **252** is coupled with the transmission line **208**. This may result in a voltage maximum being observed by the second stage **256** when a voltage minimum is observed by the first stage **252**.

In some embodiments, the diodes of the first stage **252** may generally be the same size or larger than the diodes of subsequent stages.

While limiters **100** and **200** respectively illustrate one and two stage limiters, limiters of other embodiments may have other number of stages.

FIG. **3** illustrates a limiter **300** in accordance with some embodiments. Except as otherwise noted, the limiter **300** may be similar to, and substantially interchangeable with, limiters **100** or **200**.

Similar to limiter **200**, limiter **300** may include a first stage **352** coupled with an input node **304** and a second stage **356** coupled with an output node **312**. The second stage **356** may be similar to second stage **256** of limiter **200**.

The first stage **352**, similar to first stage **252**, may include a power splitter **316** coupled with antiparallel diode pairs **320** and **324**. However, the configuration of power splitter **316** and antiparallel diode pairs **320** and **324** may differ from

that of power splitter **216** and antiparallel diode pairs **220** and **224**. Specifically, the power splitter **316** may include a plurality of parallel branches, shown as **316a** and **316b**, with the antiparallel diode pairs **320** and **324** being respectively coupled with the parallel branches **316a** and **316b**.

Diode **332** of antiparallel diode pair **320** may include a cathode coupled with the parallel branch **316a** and an anode coupled with ground. Diode **336** of antiparallel diode pair **320** may include an anode coupled with the parallel branch **316a** and a cathode coupled with ground. The diodes **332** and **336** may be physically disposed on opposing sides of the branch **316a**.

Diode **344** of antiparallel diode pair **324** may include an anode coupled with the parallel branch **316b** and a cathode coupled with ground. Diode **348** of antiparallel diode pair **324** may include a cathode coupled with the parallel branch **316a** and an anode coupled with ground. The diodes **344** and **348** may be physically disposed on opposing sides of the parallel branch **316b**.

The configuration of the power limiter **316** may allow the input power to be divided so that each antiparallel diode pair has less incident power applied, while the total required diode area in the input section remains unchanged with respect to previous limiter designs. Further, the configuration of the limiter **300** may reduce dissipation in the antiparallel diode pairs **320** and **324**, which may increase power handling capacity of the limiter **300**. The diodes **332**, **336**, **344**, and **348** may be smaller than input stage diodes of previous limiter designs, allowing for higher cutoff frequencies and wider operating bandwidths.

While the limiters **100**, **200**, and **300** are each shown with two antiparallel diode pairs in the input stage, other embodiments may have other numbers.

FIG. 4 illustrates a limiter **400** in accordance with some embodiments. Except as otherwise noted, the limiter **400** may be similar to, and substantially interchangeable with, limiters **100**, **200**, or **300**.

Similar to limiter **300**, limiter **400** may include a first stage **452** coupled with an input node **404** and a second stage **456** coupled with an output node **412**. The second stage **456** may be similar to second stage **356** of limiter **300**.

The first stage **452**, similar to first stage **352**, may include a power splitter **416** having a plurality of branches respectively coupled with antiparallel diode pairs. However, power splitter **416** includes three branches rather than the two shown in FIG. 3. Specifically, power splitter **416** includes branch **416a** coupled with antiparallel diode pair **420**, branch **416b** coupled with antiparallel diode pair **422**, and branch **416c** coupled with antiparallel diode pair **424**. The first stage **452** may work in a manner similar to first stage **352** except that the power may be distributed among the three branches, rather than just two. Thus, each antiparallel diode pair may see approximately one-third of the power of the input RF signal. The diodes of the antiparallel diode pairs may, therefore, be smaller and provide for higher cutoff frequencies and wider operating bandwidths. However, the first stage **452** may occupy relatively more die space than first stage **352**. In various embodiments, various numbers of antiparallel diode pairs may be provided in the first stage.

Limiters of other embodiments may be configured to include additional antiparallel diode pairs similar to the limiter **400**. For example, limiter **100** may include one or more antiparallel diode pairs in addition to antiparallel diode pairs **120** and **124** by the power splitter **116** having branches in addition to those shown in FIG. 1.

FIG. 5 illustrates a limiter **500** in accordance with some embodiments. Except as otherwise noted, the limiter **500**

may be similar to, and substantially interchangeable with, limiters **100**, **200**, **300**, or **400**.

Similar to limiters **200**, **300**, and **400**, the limiter **500** may include a first stage **552** and a second stage **556**. However, in this embodiment, both the first stage **552** and the second stage **556** include respective power splitters. Specifically, the first stage **552** includes a power splitter **564**, which may be similar to power splitter **316**, and second stage **556** includes a power splitter **568**, which may be similar to power splitter **216**. The option of utilizing power splitters in the different stages of the limiter **500** may provide design flexibility to meet specific objectives of various embodiments. It will be understood that a variety of alternative configurations may be employed using the concepts described herein. For example, the first stage **552** and the second stage **556** may be switched.

A wireless communication device **600** is illustrated in FIG. 6 in accordance with some embodiments. The wireless communication device **600** may have an antenna structure **604**, a duplexer **608**, a limiter **612**, a low-noise amplifier (LNA) **614**, a power amplifier (PA) **616**, a transceiver **620**, a processor **624**, and a memory **628** coupled with each other at least as shown.

In various embodiments, the duplexer **608** may include a receive (RX) filter **632**. The RX filter **632** and TX filter **636** may include various types of filter devices such as, but not limited to, surface acoustic wave devices and bulk acoustic wave devices.

The antenna structure **604** may include one or more antennas to transmit and receive radio frequency (RF) signals over the air. The antenna structure **604** may be coupled with the duplexer **608** that operates to selectively couple the antenna structure with the limiter **612** or the PA **616**.

When transmitting outgoing RF signals, the TX filter **636** may couple the antenna structure **604** with the PA **616**. The PA **616** may receive RF signals from the transceiver **620**, amplify the RF signals, and provide the RF signals to the antenna structure **604** for over-the-air transmission.

When receiving incoming RF signals, the RX filter **632** may couple the antenna structure **604** with the limiter **612**. The limiter **612**, which may be similar to limiter **100**, **200**, **300**, or **400**, may pass through the RF signal to the LNA **614**. The LNA **614** may amplify the RF signal to facilitate further processing and provide the amplified signal to the transceiver **620**.

In some embodiments, large RF signals may be provided at an input of the limiter **612**. These large RF signals may occur while the wireless communication device **600** is receiving, for example, the duplexer is coupling the antenna structure **604** to the limiter **612**. These large RF signals may also occur when the wireless communication device **600** is transmitting, for example, reflection of the transmitted signal may cause it to occur in the receive chain. Regardless of the source, the limiter may operate to limit the input power of the RF signals to protect the LNA **614**.

The processor **624** may execute a basic operating system program, stored in the memory **628**, in order to control the overall operation of the wireless communication device **600**. For example, the main processor **624** may control the reception of signals and the transmission of signals by transceiver **620**. The main processor **624** may be capable of executing other processes and programs resident in the memory **628** and may move data into or out of memory **628**, as desired by an executing process.

The transceiver **620** may receive outgoing data (e.g., voice data, web data, e-mail, signaling data, etc.) from the

processor **624**, may generate RF signals to represent the outgoing data, and provide the RF signals to the PA **616**. Conversely, the transceiver **620** may receive RF signals from the LNA **614** that represent incoming data. The transceiver **620** may process the RF signals and send incoming signals to the processor **624** for further processing.

In various embodiments, the wireless communication device **600** may be, but is not limited to, a mobile telephone, a paging device, a personal digital assistant, a text-messaging device, a portable computer, a desktop computer, a base station, a subscriber station, an access point, a radar, a satellite communication device, or any other device capable of wirelessly transmitting/receiving RF signals.

Those skilled in the art will recognize that the wireless communication device **600** is given by way of example and that, for simplicity and clarity, only so much of the construction and operation of the wireless communication device **600** as is necessary for an understanding of the embodiments is shown and described. Various embodiments contemplate any suitable component or combination of components performing any suitable tasks in association with wireless communication device **600**, according to particular needs. Moreover, it is understood that the wireless communication device **600** should not be construed to limit the types of devices in which embodiments may be implemented.

FIG. 7 is a flowchart illustrating an operation **700** of a limiter of a wireless communication device in accordance with some embodiments. The limiter may be similar to any of the limiters described herein.

At **704**, the operation **700** may include receiving an RF signal. The receiving of an RF signal may be a result of an incoming signal received by an antenna structure of the device, or may be reflected from an outgoing signal.

At **708**, the operation **700** may include determining that the RF signal has an input power greater than a predetermined threshold. The threshold may relate to thresholds and configurations of the diodes of the limiter.

At **712**, the operation **700** may include limiting power of the RF signal. The limiting of the power of the RF signal may include reflecting and/or dissipating the power by the diodes of the limiter.

In some embodiments, the limiting functionality of the limiter may be a linear function. That is, the greater the power of the RF signal, the greater the amount of insertion loss provided by the limiter. In other embodiments, the limiting may be a non-linear function. For example, the limiter may either limit the power of the RF signal, if power at input is over a threshold, or not limit the power of the RF signal (other than a small degree of insertion loss inherently provided by the limiter), if power at input is below the threshold.

Various examples are described below.

Example 1 includes a limiter circuit comprising: an input node; a transmission line coupled with the input node; an output node coupled with the transmission line; a power splitter coupled with the transmission line between the input node and the output node; a first antiparallel diode pair coupled with the power splitter; and a second antiparallel diode pair coupled with the power splitter.

Example 2 includes limiter circuit of example 1, wherein the first and second antiparallel diode pairs are configured to limit a power of a radio frequency signal on the transmission line.

Example 3 includes the limiter circuit of example 1, wherein the first and second antiparallel diode pairs include vertical P-I-N diodes.

Example 4 includes the limiter circuit of example 3, wherein the vertical P-I-N diodes comprise gallium arsenide vertical P-I-N diodes.

Example 5 includes limiter circuit of example 1, further comprising: a first stage including the power splitter, the first antiparallel diode pair, and the second antiparallel diode pair; and a second stage including a third antiparallel diode pair, the third antiparallel diode pair having: a first diode with a cathode coupled with the transmission line and an anode coupled with ground or a voltage source; and a second diode with an anode coupled with the transmission line and a cathode coupled with ground or a voltage source.

Example 6 includes the limiter circuit of example 5, wherein the first diode is physically disposed on a first side of the transmission line and the second diode is physically disposed on a second side of the transmission line, which is opposite the first side.

Example 7 includes the limiter circuit of example 1, further comprising: an input stage including the power splitter, the first antiparallel diode pair, and the second antiparallel diode pair; and one or more additional stages, wherein individual stages of the one or more additional stages include antiparallel diode pairs coupled with the transmission line.

Example 8 includes the limiter circuit of example 7, wherein at least one of the one or more additional stages includes a power splitter.

Example 9 includes the limiter circuit of example 1, wherein the first antiparallel diode pair is physically disposed on a first side of the transmission line and the second antiparallel diode pair is physically disposed on a second side of the transmission line, which is opposite the first side.

Example 10 includes the limiter circuit of example 1, wherein the power splitter comprises a first node physically disposed on the first side and the first antiparallel diode pair includes a first diode with a cathode coupled with the first node and an anode coupled with the first node.

Example 11 includes the limiter circuit of example 10, wherein the power splitter comprises a second node physically disposed on the second side and the second antiparallel diode pair includes a third diode with a cathode coupled with the second node and an anode coupled with the first node.

Example 12 includes a limiter circuit comprising: an input node; a power splitter coupled with the input node and having a plurality of parallel branches; a plurality of antiparallel diode pairs respectively coupled with the plurality of parallel branches of the power splitter; and an output node coupled with the power splitter.

Example 13 includes the limiter circuit of 12, wherein the plurality of antiparallel diode pairs are configured to limit a power of a radio frequency signal provided to the output node.

Example 14 includes the limiter circuit of example 12, wherein the plurality of antiparallel diode pairs include vertical P-I-N diodes.

Example 15 includes the limiter circuit of example 14, wherein the vertical P-I-N diodes comprise gallium arsenide vertical P-I-N diodes.

Example 16 includes the limiter circuit of example 12, further comprising: a transmission line coupled with the output node and the power splitter; a first stage including the power splitter and the plurality antiparallel diode pairs; and a second stage including an antiparallel diode pair having: a first diode with a cathode coupled with the transmission line and an anode coupled with ground or a voltage source; and a second diode with an anode coupled with the transmission line and a cathode coupled with ground or a voltage source.

Example 17 includes the limiter circuit of example 12, further comprising: an input stage including the power splitter, the first antiparallel diode pair, and the second antiparallel diode pair; and one or more additional stages, wherein individual stages of the one or more additional stages include antiparallel diode pairs coupled with the transmission line.

Example 18 includes the limiter circuit of example 12, wherein the power splitter comprises at least three parallel branches and at least three antiparallel diode pair respectively coupled with the at least three parallel branches.

Example 19 includes a wireless communication device comprising: an antenna structure; a low noise amplifier (LNA) to amplify received RF signals; and a limiter coupled with the LNA and the antenna structure, the limiter including: an input node; a power splitter coupled with the input node; and a plurality of antiparallel diode pairs coupled with the power splitter and configured to limit a power of RF signals provided to the LNA.

Example 20 includes the wireless communication device of example 19, wherein the plurality of antiparallel diode pairs include gallium arsenide vertical P-I-N diodes.

Example 21 includes the wireless communication device of example 19, wherein the power splitter comprises a plurality of parallel branches respectively coupled with the plurality of antiparallel diode pairs.

Example 22 includes the wireless communication device of example 19, wherein the limiter is a variable input power limiter.

Example 23 includes the wireless communication device of example 22, wherein diodes of the plurality of antiparallel diode pairs are coupled with a positive or negative voltage supply to reverse or forward bias the diodes.

Example 24 includes the wireless communication device of example 19, wherein: a first diode of a first antiparallel diode pair of the plurality of antiparallel diode pairs is a different size than a second diode of the first antiparallel diode pair; and a first diode of a second antiparallel diode pair of the plurality of antiparallel diode pairs is a different size than a second diode of the second antiparallel diode pair.

Example 25 includes the wireless communication device of example 19, wherein the first diodes of the first and second antiparallel diode pairs are configured to limit RF signals over a first input power threshold and the second diodes of the first and second antiparallel diode pairs are configured to limit RF signals over a second input power threshold, which is less than the first input power threshold.

Although the present disclosure has been described in terms of the above-illustrated embodiments, it will be appreciated by those of ordinary skill in the art that a wide variety of alternate and/or equivalent implementations calculated to achieve the same purposes may be substituted for the specific embodiments shown and described without departing from the scope of the present disclosure. Those with skill in the art will readily appreciate that the teachings of the present disclosure may be implemented in a wide variety of embodiments. This description is intended to be regarded as illustrative instead of restrictive.

What is claimed is:

1. A limiter circuit comprising:

a transmission line coupled between an input node and an output node;

a power splitter having a first node, a second node, and a third node that is coupled to the transmission line;

a first antiparallel diode pair coupled between the first node and ground or a voltage source; and

a second antiparallel diode pair coupled between the second node and the ground or voltage source.

2. The limiter circuit of claim 1 wherein the first antiparallel diode pair and the second antiparallel diode pair are configured to limit a power of a radio frequency (RF) signal on the transmission line.

3. The limiter circuit of claim 1 wherein the first antiparallel diode pair and the second antiparallel diode pair include vertical P-I-N diodes.

4. The limiter circuit of claim 3 wherein the vertical P-I-N diodes comprise gallium arsenide vertical P-I-N diodes.

5. The limiter circuit of claim 1 further comprising:

a first stage including the power splitter, the first antiparallel diode pair, and the second antiparallel diode pair; and

a second stage including a third antiparallel diode pair, the third antiparallel diode pair having:

a first diode with a cathode coupled with the transmission line and an anode coupled with the ground or the voltage source; and

a second diode with an anode coupled with the transmission line and a cathode coupled with the ground or the voltage source.

6. The limiter circuit of claim 5 wherein the first diode is physically disposed on a first side of the transmission line and the second diode is physically disposed on a second side of the transmission line, which is opposite the first side.

7. The limiter circuit of claim 5 wherein the first stage and the second stage are configured to limit a power of a radio frequency (RF) signal on the transmission line and the second stage is coupled approximately one-quarter wavelength of the RF signal from where the first stage is coupled with the transmission line.

8. The limiter circuit of claim 7 wherein the first antiparallel diode pair and the second antiparallel diode pair include vertical P-I-N diodes.

9. The limiter circuit of claim 5 wherein the first antiparallel diode pair and the second antiparallel diode pair include vertical P-I-N diodes.

10. The limiter circuit of claim 1 further comprising:

an input stage including the power splitter, the first antiparallel diode pair, and the second antiparallel diode pair; and

one or more additional stages, wherein individual stages of the one or more additional stages include antiparallel diode pairs coupled with the transmission line.

11. The limiter circuit of claim 10 wherein at least one of the one or more additional stages includes a power splitter.

12. The limiter circuit of claim 11 wherein:

the first stage and an additional stage are configured to limit a power of a radio frequency (RF) signal on the transmission line;

the additional stage includes a second power splitter; and the additional stage is coupled approximately one-quarter wavelength of the RF signal from where the first stage is coupled with the transmission line.

13. The limiter circuit of claim 12 wherein the first antiparallel diode pair and the second antiparallel diode pair include vertical P-I-N diodes.

14. The limiter circuit of claim 12 wherein:

the first antiparallel diode pair is physically disposed on a first side of the transmission line and the second antiparallel diode pair is physically disposed on a second side of the transmission line, which is opposite the first side;

the first node is physically disposed on the first side and the first antiparallel diode pair includes a first diode

11

with a cathode coupled with the first node and an anode coupled with the first node; and
the second node is physically disposed on the second side and the second antiparallel diode pair includes a third diode with a cathode coupled with the second node and an anode coupled with the first node.

15. The limiter circuit of claim 10 wherein:
the first antiparallel diode pair is physically disposed on a first side of the transmission line and the second antiparallel diode pair is physically disposed on a second side of the transmission line, which is opposite the first side;

the first node is physically disposed on the first side and the first antiparallel diode pair includes a first diode with a cathode coupled with the first node and an anode coupled with the first node; and

the second node is physically disposed on the second side and the second antiparallel diode pair includes a third diode with a cathode coupled with the second node and an anode coupled with the first node.

16. The limiter circuit of claim 1 wherein the first antiparallel diode pair is physically disposed on a first side of the

12

transmission line and the second antiparallel diode pair is physically disposed on a second side of the transmission line, which is opposite the first side.

17. The limiter circuit of claim 16 wherein the first node is physically disposed on the first side and the first antiparallel diode pair includes a first diode with a cathode coupled with the first node and an anode coupled with the first node.

18. The limiter circuit of claim 17 wherein the second node is physically disposed on the second side and the second antiparallel diode pair includes a third diode with a cathode coupled with the second node and an anode coupled with the first node.

19. The limiter circuit of claim 18 wherein at least one diode within the first antiparallel diode pair and the second antiparallel diode pair comprise a plurality of diodes that are coupled in series.

20. The limiter circuit of claim 1 wherein at least one diode within the first antiparallel diode pair and the second antiparallel diode pair comprises a plurality of diodes that are coupled in series.

* * * * *